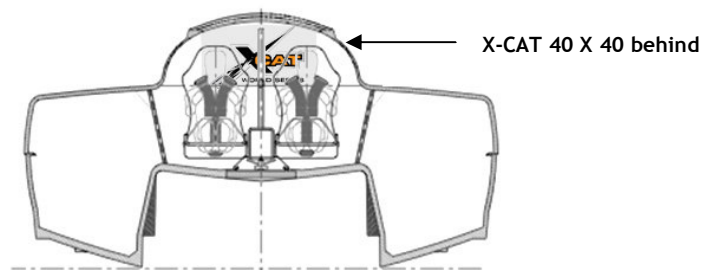
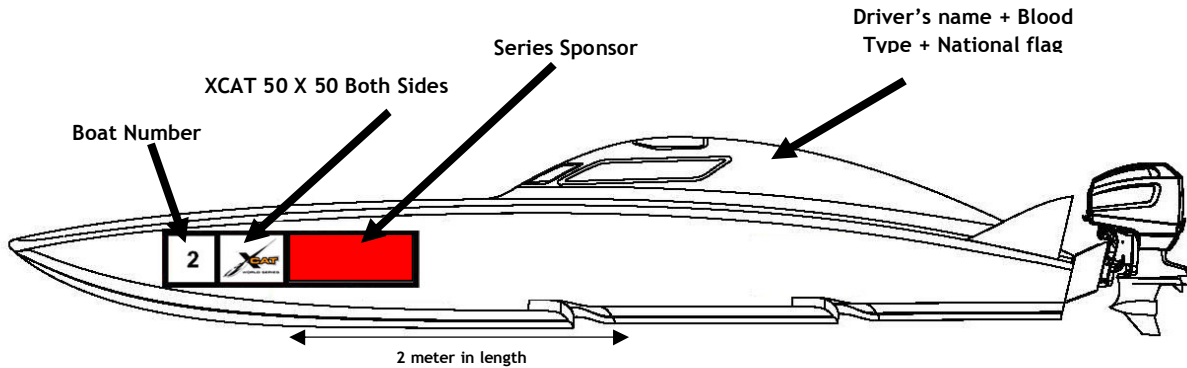
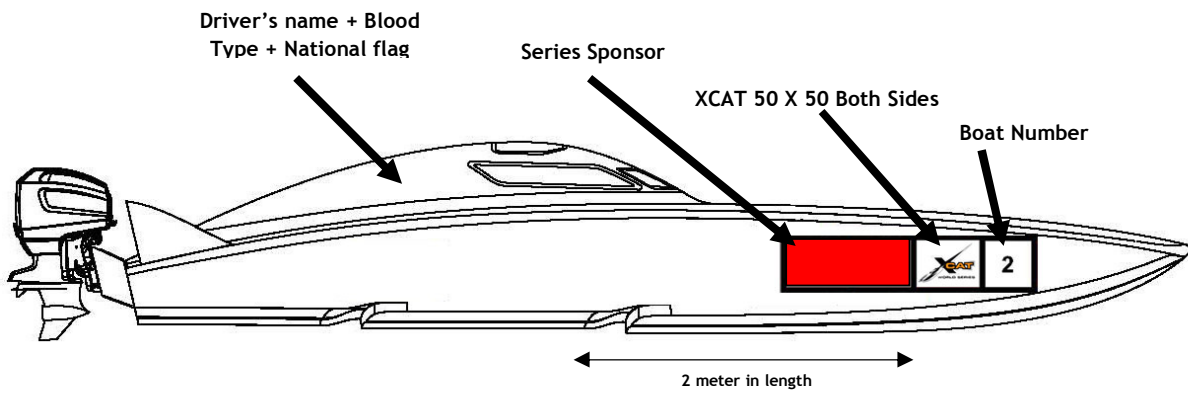
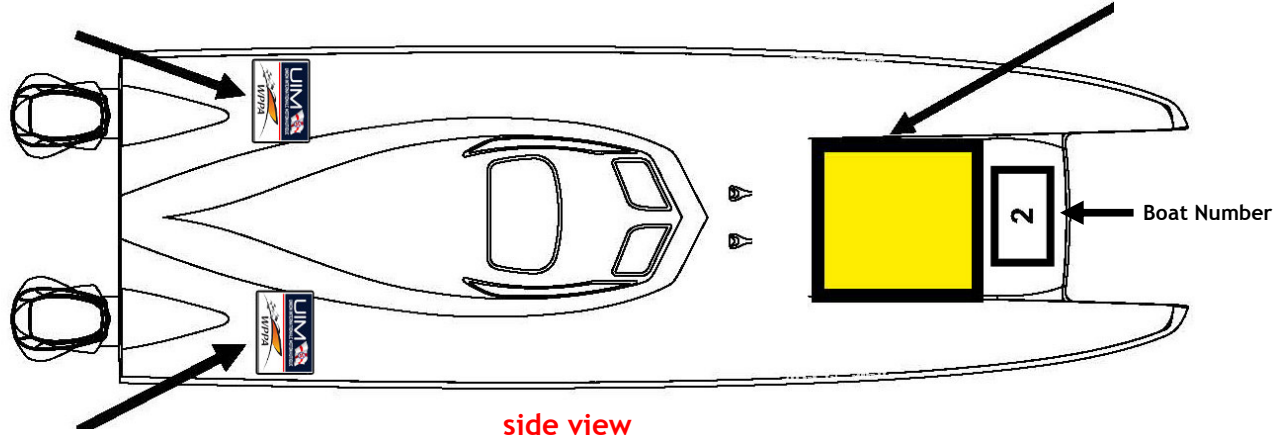


Regulation 1.1

X-CAT Boat Branding Guidelines

LOC SPACE
100 X 80 cm

UIM & WPPA 40 X 50



LEGEND:

	Series Sponsor
	LOC 60 x 60
2	Boat Number

Note: 2

Letter S should not be included in the boat's race number.

Example: ~~S322~~ boat number